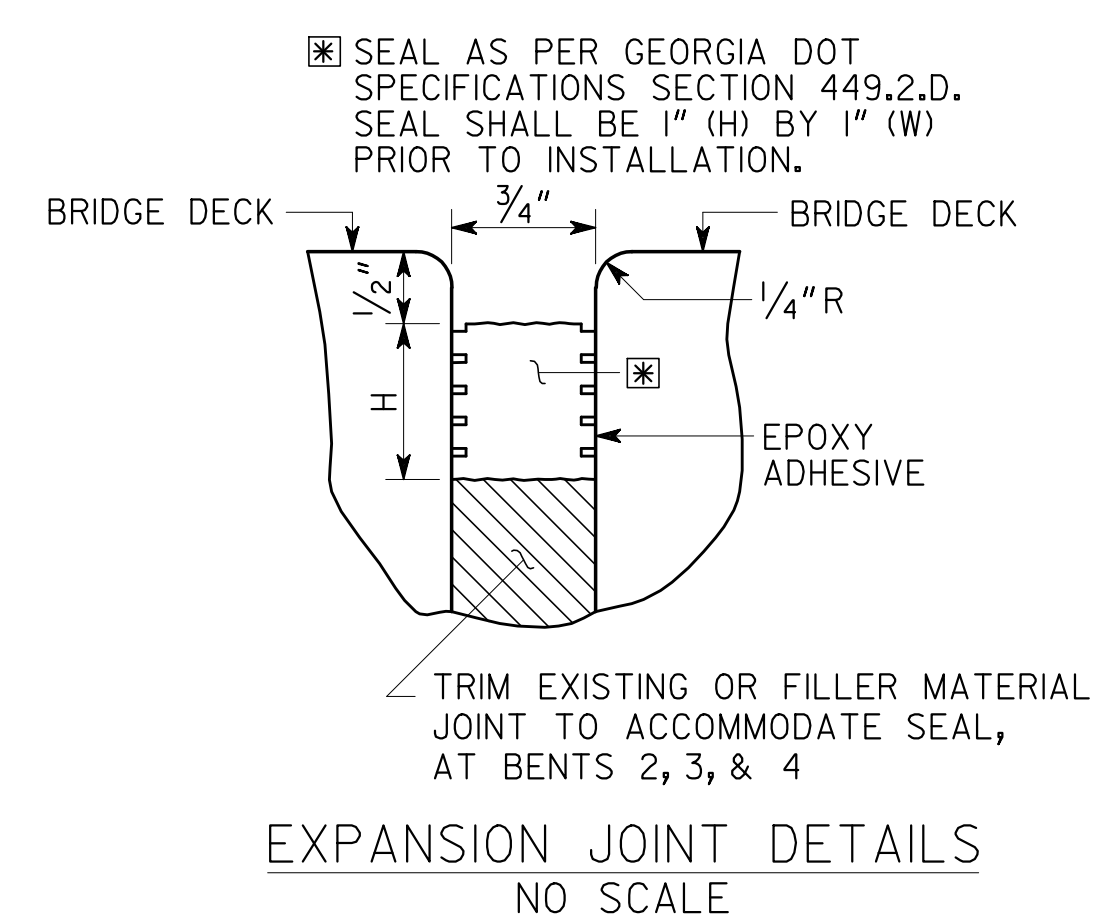


TYPICAL BRIDGE DECK JOINT SEALING (BENT 1 & BENT 5)
NO SCALE



GENERAL NOTES

SPECIFICATIONS - GEORGIA STANDARD SPECIFICATIONS, 2013 EDITION, AS MODIFIED BY CONTRACT DOCUMENTS.

DECK DRAIN CONCRETE PATCH - UNDERSIDE OF DECK DRAIN SHALL BE PATCHED WITH CONCRETE TO COVER REINFORCEMENT. COST TO BE INCLUDED IN THE PAY ITEM 519-0700.

CONCRETE BRIDGE DECK OVERLAY - OVERLAY THE ENTIRE SURFACE OF THE EXISTING BRIDGE DECK WITH LATEX MODIFIED CONCRETE(LMC) BRIDGE DECK OVERLAY. SEE SPECIAL PROVISION SECTION 519.

EXISTING BRIDGE JOINTS - CLEAN AND SEAL EXISTING BRIDGE JOINTS WITH SILICONE SEALANT (TYPE D) AS PER SUB-SECTION 461.3.05C AND 833.2.06 OF GEORGIA SPECIFICATION.

CERTAIN AREAS OF EXISTING FILL SLOPES HAVE ERODED AWAY. CONTRACTOR SHALL PLACE FILL AT THE VOIDS TO MAINTAIN 2:1 SLOPES. THE COST FOR PLACEMENT OF FILL SHALL BE INCLUDED IN THE BID FOR "FOUND BACKFILL MATL, TYPE II".

SUMMARY OF QUANTITIES

PAY ITEM NUMBER	QUANTITY	UNIT	PAY ITEM
207-0203	25	CY	FOUND BKFILL MATL, TYPE II
449-1620	105	LF	LOW-DENSITY, CLOSED CELL, X-LINKED, ETHYLENE VINYL ACETATE, POLYETHYLENE COPOLYMER, NITROGEN-BLOWN SEAL, BR NO.- 2
461-2000	70	LF	RESEALING BRIDGE JOINTS TP-D
519-0225	406	SY	CONCRETE OVERLAY LATEX MODIFIED. THICKNESS 2 IN
519-0700	100	SF	UN SOUND CONCRETE REMOVAL AND REPLACEMENT
521-1000	12	SF	PATCHING CONCRETE BRIDGE DECK
600-0001	10	CY	FLOWABLE FILL
603-2024	115	SY	STN DUMPED RIPRAP, TP I, 24 IN
603-7000	115	SY	PLASTIC FILTER FABRIC

BRIDGE SERIAL NO. 311-5002-0
BRIDGE I.D. NO. 311-00009X-001.36W

BRIDGE NO. 2

GEORGIA
WHITE COUNTY
BOARD OF COMMISSIONERS - OFFICE OF PUBLIC WORKS

PLAN AND ELEVATION
CR9 (NEW BRIDGE ROAD)
OVER WHITE CREEK
WHITE COUNTY

SCALE: NO SCALE JULY 2018

GEORGIA REGISTERED PROFESSIONAL ENGINEER
No. 19371
07-13-2018

DRAWING NO.
BRIDGE SHEET
1 OF 1

REVISIONS
DATE

DESIGNED AS/UP
DRAWN PS

CHECKED AS
DESIGN GROUP --

REVIEWED --
APPROVED --

S&A
SASTRY & ASSOCIATES, INC.
11030 JONES BRIDGE ROAD, SUITE 201
ALPHARETTA, GA 30022
PHONE: 678-366-9375 FAX: 770-442-0761

1 INCH WHEN PRINTED FULL SIZE