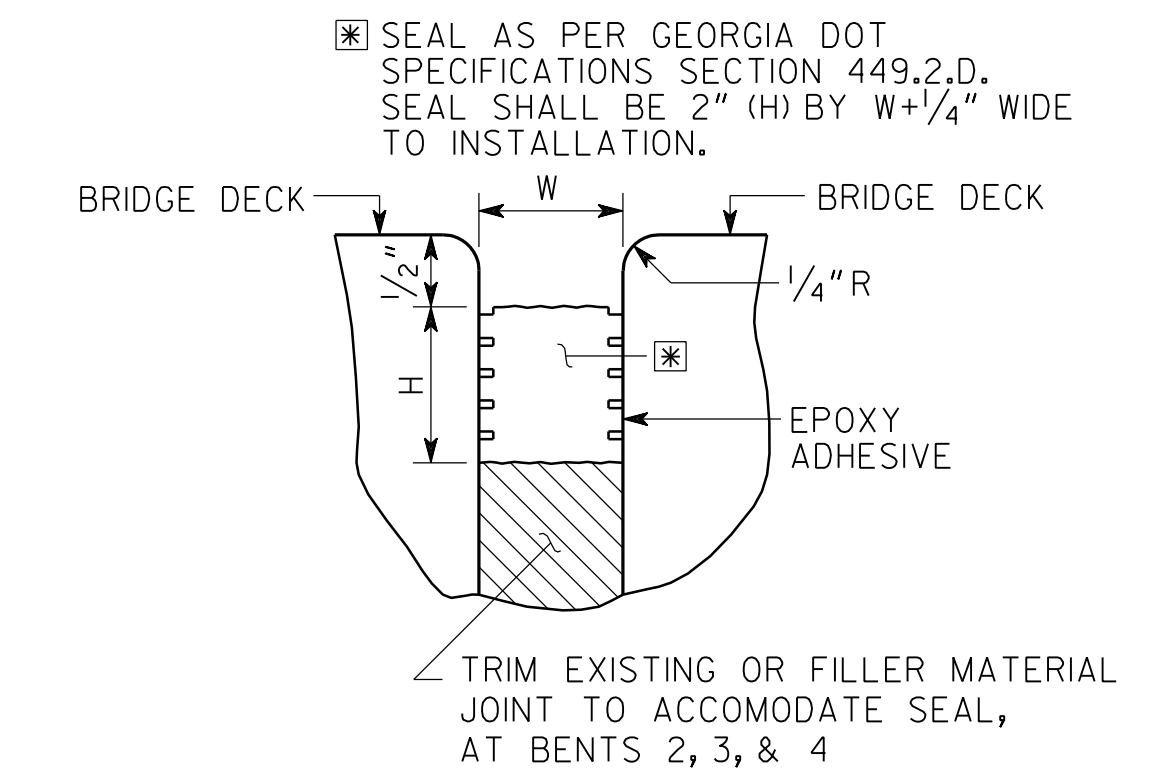
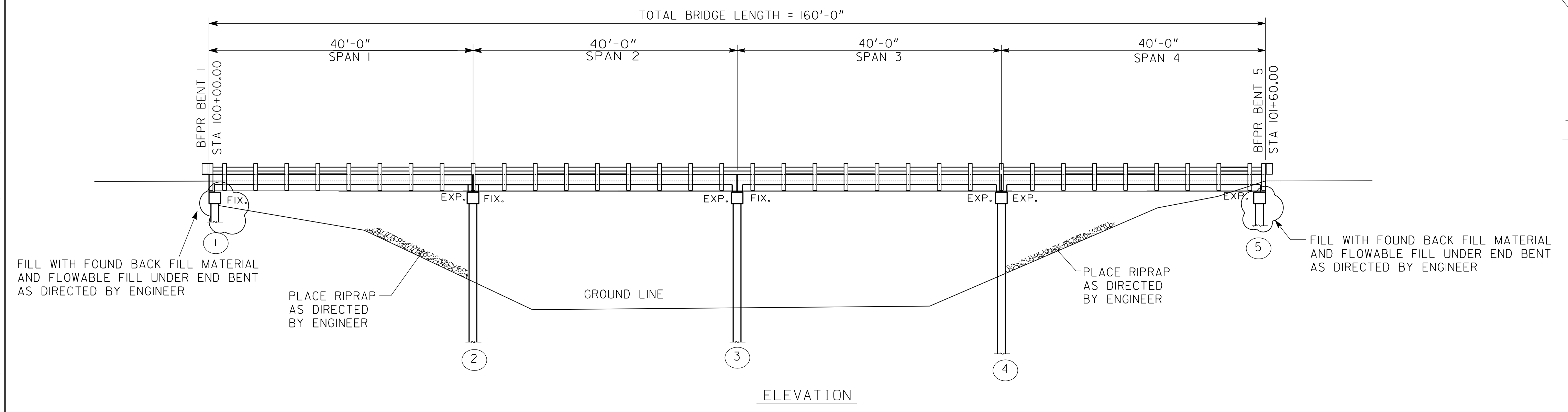


TYPICAL BRIDGE DECK JOINT SEALING (BENT 1 & BENT 5)  
NO SCALE



EXPANSION JOINT DETAILS  
NO SCALE

GENERAL NOTES

SPECIFICATIONS - GEORGIA STANDARD SPECIFICATIONS, 2013 EDITION, AS MODIFIED BY CONTRACT DOCUMENTS.

DECK REPAIRS - ALL CRACKS AND SPALLS IN THE EXISTING BRIDGE DECK SHALL BE REPAIRED PRIOR TO THE APPLICATION OF THE DECK OVERLAY. CARE SHALL BE EXERCISED SO THAT THE EXISTING REINFORCING STEEL IS NOT DAMAGED. REINFORCEMENT DAMAGED BY CONTRACTOR SHALL BE REPAIRED AT NO ADDITIONAL COST TO THE WHITE COUNTY.

POLYMER BRIDGE DECK OVERLAY - OVERLAY THE ENTIRE SURFACE OF THE EXISTING BRIDGE DECK WITH TWO-PART POLYMER BRIDGE DECK OVERLAY. SEE SPECIAL PROVISION SECTION 519.

EXISTING BRIDGE JOINTS - CLEAN AND SEAL EXISTING BRIDGE JOINTS WITH SILICONE SEALANT (TYPE D) AS PER SUB-SECTION 461.3.05C AND 833.2.06 OF GEORGIA SPECIFICATION.

SURFACE LEVELING - RIDING SURFACE NEEDS LEVELING. COST TO BE INCLUDED IN THE OVERALL BID SUBMITTED.

CERTAIN AREAS OF EXISTING FILL SLOPES HAVE ERODED AWAY. CONTRACTOR SHALL PLACE FILL AT THE VOIDS TO MAINTAIN 2:1 SLOPES. THE COST FOR PLACEMENT OF FILL SHALL BE INCLUDED IN THE BID FOR "FOUND BACKFILL MATL, TYPE II".

SUMMARY OF QUANTITIES

PAY ITEM NUMBER	QUANTITY	UNIT	PAY ITEM
207-0203	25	CY	FOUND BK FILL MATL, TYPE II
449-1620	91	LF	LOW DENSITY, CLOSED CELL, X-LINKED, ETHYLENE VINYL ACETATE, POLYETHYLENE COPOLYMER, NITROGEN-BLOWN SEAL, BR NO.- 3
461-2000	61	LF	RESEALING BRIDGE JOINTS TP-D
519-0515	427	SY	SURFACE PREPARATION
519-0530	427	SY	POLYMER OVERLAY
521-1000	12	SF	PATCHING CONCRETE BRIDGE DECK
600-0001	10	CY	FLOWABLE FILL
603-2024	100	SY	STN DUMPED RIPRAP, TP I, 24 IN
603-7000	100	SY	PLASTIC FILTER FABRIC

BRIDGE SERIAL NO. 311-5003-0  
BRIDGE I.D. NO. 311-00009X-003.89W

BRIDGE NO. 3

GEORGIA  
WHITE COUNTY  
BOARD OF COMMISSIONERS - OFFICE OF PUBLIC WORKS

PLAN AND ELEVATION  
CR9 (NEW BRIDGE ROAD)  
OVER DEAN CREEK  
WHITE COUNTY

SCALE: NO SCALE MARCH 2017



DATE	REVISIONS	BY

**S&A** SASTRY & ASSOCIATES, INC.  
11030 JONES BRIDGE ROAD, SUITE 201  
ALPHARETTA, GA 30022  
PHONE: 678-366-9375 FAX: 770-442-0761

DRAWING NO.  
BRIDGE SHEET  
1 OF 1

DESIGNED AS/UP	CHECKED AS	REVIEWED --
DRAWN PS	DESIGN GROUP --	APPROVED --

1 INCH WHEN PRINTED FULL SIZE